

Backlight Replacement Guide

Thank you for purchasing the PS400-BU00-MS replacement backlight.

Be sure to read the following Backlight Replacement Warnings prior to replacing your GP/GLC/PS's backlight.

This replacement backlight package contains the following:

GP/GLC/PS Model Name	Backlight Model
GP2400 Series	PS400-BU00-MS
GLC2400 Series	
PS400G Series	

If this backlight is not appropriate for your GP/GLC/PS or does not function correctly, please contact your local authorized GP/GLC/PS representative.

WARNINGS

- Be sure the GP/PS's power cord has been disconnected prior to changing the backlight. When the GP/PS's power cord is connected and the GP/GLC/PS is ON, high voltage runs through the wires in the backlight area - do not touch them!
- When the GP/GLC/PS's power cord has just been disconnected, the backlight area is still very hot! Be sure to wear gloves to prevent being burned.
- The backlight is very fragile. Do not touch the glass tube directly or try to remove its power cord. If the glass tube breaks you may be injured.
- When the product is disposed of, it should be done so according to your country's regulations for similar types of industrial waste.



- *Change the entire backlight unit, i.e. both the tube and holder.*
- *Do not allow water, oil or fingerprints to remain on the tube, since they can all reduce the backlight's life.*

◆ Package Contents

- One (1) Replacement Backlight (Model:PS400-BU00-MS)

◆ Items Required When Changing The GP/GLC/PS's Backlight

- Phillips screwdriver (no. 2) for GP/GLC/PS's cover attachment screws.
- A flathead screwdriver (top flat-blade width: from 3mm to 4mm) for levering up the backlight unit's hook.
- One pair of clean (preferably new) cotton gloves.



SCIGATE AUTOMATION (S) PTE LTD
No.1 Bukit Batok Street 22 #01-01 Singapore 659592
Tel: (65) 6561 0488 Fax: (65) 6562 0588
Email: sales@scigate.com.sg Web: www.scigate.com.sg
Business Hours: Monday - Friday 8.30am - 6.15pm

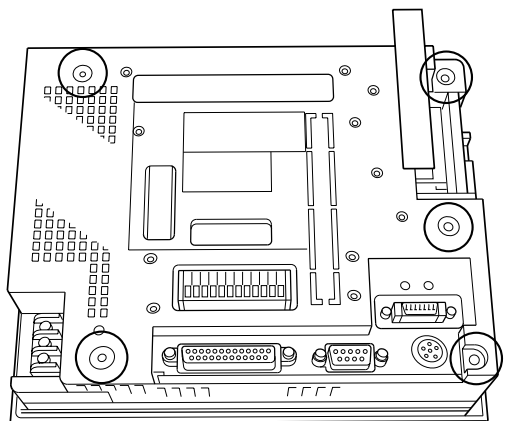
■ Backlight Replacement

Use the following steps to change the backlight.



Note: Prepare a small container for the removed attachment screws to prevent them from becoming lost or misplaced.

◆ GP-2400/GLC2400/PS400G Series Unit Backlight Replacement (The following explanation uses a GP2400 Series unit)



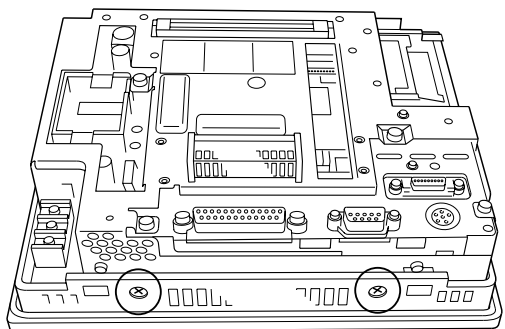
- 1) Turn OFF the GP/PS unit's power supply. Open the CF Card's cover and unscrew the unit's five (5) Rear Cover attachment screws.



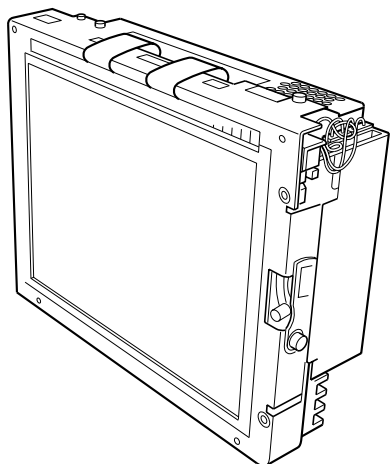
Important

Since the attachment screws are small, be sure not to lose them or allow them to fall inside the GP/PS's case.

- 2) Remove the unit's Rear Cover.



- 3) Remove the unit's four (4) top and bottom face attachment screws (Figure shows bottom face screw locations - top face locations are the same).

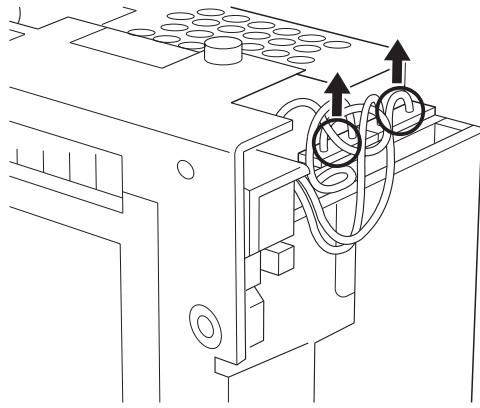


- 4) Separate the unit's front panel and the main unit.

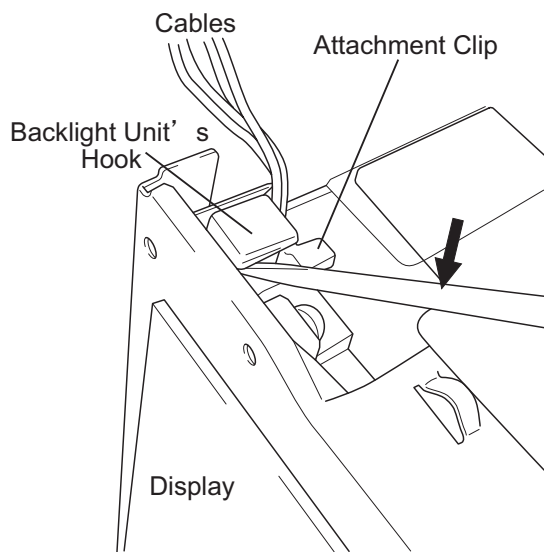


Important

When the GP/PS's power has just been turned OFF, the circuit board chassis is still very hot! Be sure to wear gloves to prevent being burned.



5) Disconnect the backlight's two (2) power connectors.



6) Place the main unit vertically so that the insertion slot of the backlight unit faces upward as shown in the illustration.

7) Pull the cables over the main unit and keep them as shown in the illustration. Put a flathead screwdriver (top flat-blade width: from 3mm to 4 mm) in the groove under the backlight unit's hook and lever up the backlight unit's hook pushing the screwdriver downward slowly.

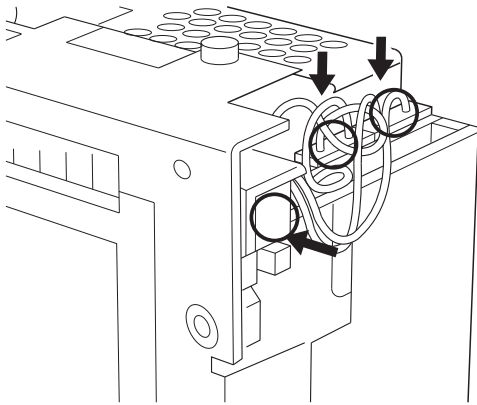


The attachment clip can very easily be bent and broken. Be careful for the flathead screwdriver not to touch the attachment clip.



When the backlight unit's hook is broken, be careful for the broken hook not to be left inside of the main unit.

8) After the backlight unit's hook is released from the attachment clip and levered up, pull out the backlight slowly.



9) Insert the new backlight and slide it into the unit until it clicks into place. Reattach the backlight unit's power connectors.

10) Reconnect the main unit and front panel sections.



- *Be sure not to pinch or cut any of the GP/GLC/PS unit's internal wiring when closing the case.*
- *If any of the attachment screws becomes misplaced, check to be sure that they have not fallen inside the GP/GLC/PS. If a screw has fallen inside the GP/GLC/PS, do not connect the unit's power cord until it has been removed.*

After changing the backlight, be sure to check that your GP/GLC/PS display operates correctly. If a problem occurs, contact your local GP/GLC/PS distributor.
